

**D**esigned for optimal efficiency and control, the **TM40** is the **largest tire manipulator in the world.**



TM40 on a Lift Truck

## KEY FEATURES

- ✓ Fail-Safe Bearing Protection
- ✓ Two Cylinders to Maximize Body Rotation Torque
- ✓ Engineered for Large Capacity Machines

## ADVANTAGES

- ✓ Handle the Largest OTR Tires

## APPLICATIONS

- ✓ Yard
- ✓ Shop
- ✓ Open Pit

For more information, visit us at:  
[www.cwsindustries.com](http://www.cwsindustries.com)

Division of



INTERNATIONAL  
EQUIPMENT  
SOLUTIONS

### CWS Surrey

19490 - 92<sup>nd</sup> Ave  
Surrey, BC V4N 4G7  
Toll free: 1.800.661.9008

### CWS Edmonton

7622 - 18<sup>th</sup> St  
Edmonton, AB T6P 1Y6  
Toll free: 1.888.848.8288

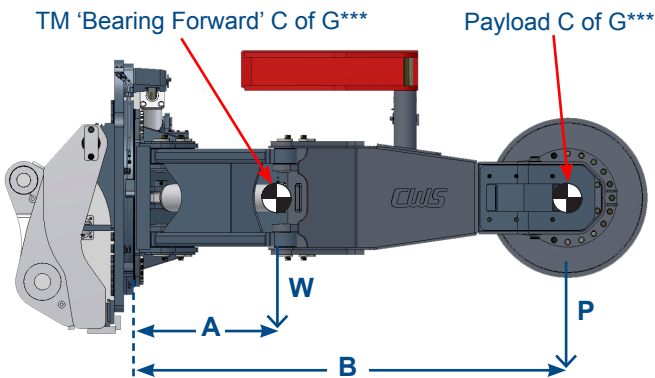
# 1.877.888.6459

[sales@cwsindustries.com](mailto:sales@cwsindustries.com)

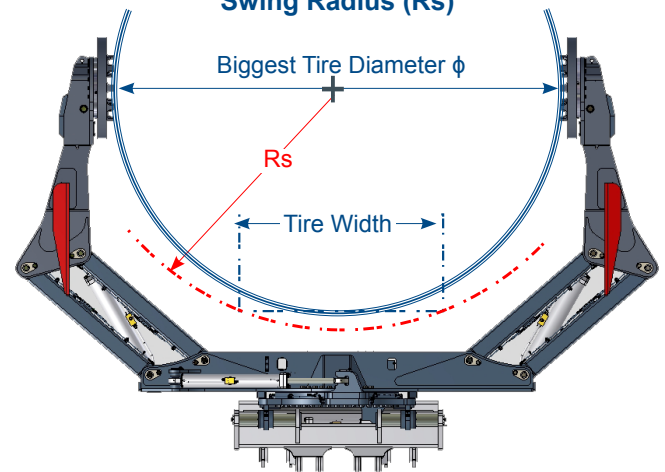
## Technical Specifications

Specifications	TM40
TM Max. Capacity*	40,000 lbs (18,200 kg)
Clamp Range** Arms Close-Open Span	33.5" - 177" (85cm - 450cm)
Min. Rotation Clearance	111" (282cm)
Body Rotation	65°
Pad Rotation	360° Continuous
Recommended Hydraulics	50 - 60 gpm, 2500 psi
Features	
Tire Fall Back Protection	✓
Load Holding Valves	✓
Body Rotate Cylinders	Two
Fail-Safe Bearing Protection	✓
Manual Central Greasing	✓
Integral Side Shift	Optional 16" (+/-8")
Rim Handling Grip Pads	✓
Proportional Controls	✓

### Center of Gravity (C of G)



### Swing Radius (Rs)



## For Application-Specific Dimensions Contact CWS

\* Maximum capacity may be derated depending on machine and counterweight may be required to utilize TM max. capacity

\*\* Varies, dependent on tire grip pad option

\*\*\* Arms opened for the biggest tire

### ABOUT CWS

CWS is an innovator in designing, manufacturing, and commissioning attachments for heavy equipment. Since 1956, global distributors, customers, and OEM's have demanded CWS solutions for rugged applications in Agriculture, Forestry, Construction, Mining, Oil & Gas and Material Handling. The CWS organization specializes in integrating customer needs with engineered solutions supported by excellent warranty and parts programs.